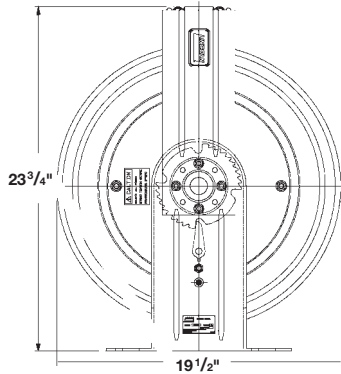
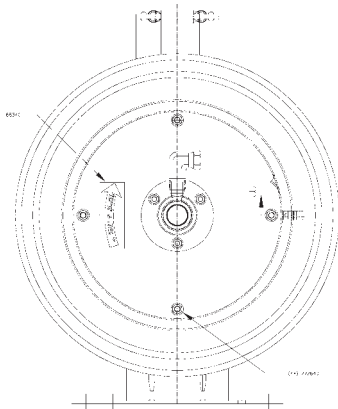


Lincoln's new 87000 Hose Reel family offers enhanced engineering design features to meet the needs of your demanding workplace with the value you require. An integral part of Lincoln's complete lubrication system, the 87000 Series serves your dispensing needs—low pressure for air or water, medium pressure for petroleum and synthetic based fluids (for example oil and transmission fluid) and high pressure for grease. Applications: New car/truck dealers, light duty lube trucks, fleet maintenance garages, oil change outlets, municipal garages, industry, truck stop oil change centers

Features

- Strong and reliable
- Seals are compatible with petroleum and synthetic based fluids
- Models for low, medium and high pressure
- Easy installation requirements
- Heavy gauge steel base and support provide exceptional strength to assembly
- Mounting base accepts both 6M/6H and HD 82206 mounting patterns and is slotted for easy installation
- Heavy duty polyurethane seals eliminate leakage
- Brass bushings provide long service life
- Baked-on powder coat finish creates a rugged corrosion resistant reel
- Stainless steel axle for air/water applications
- Low-, medium-, and high-pressure models
- Extra-wide hose guide eliminates flex
- 180° “opposed ratchet” design provides greater hose length adjustments
- Seven-position roller outlet arm with four-way roller assembly



Bare Reel Specifications

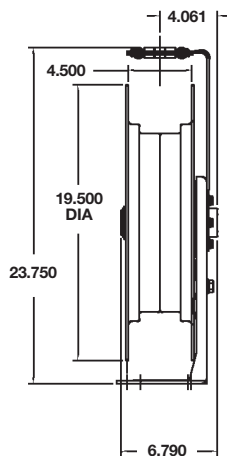
Model	Application	Rating	Hose Capacity		Working Pressure Bare Reel, psi	Inlet/Outlet(f)
			Type	Length		
87500	Grease	SAE100R2	75, 76	50'	8000	3/8" NPTF
87300	Oil	SAE100R3	73	60'	2500	1/2" NPTF
87700	Air, ATF, Water, WW	RMA	Class A	60'	2500	1/2" NPTF

Mounting Kit

Model 85641

Universal kit for mounting up to 12 reels, any series, open or decorative.

NOTE: For heavy duty lube truck applications, we recommend our Heavy Duty Reel series.



Basic Grease Assemblies *Less Hose End Control*

Model Number	Description	<i>Included with Reel Assemblies</i>				
		Bare Reel Model	Delivery Hose	Connecting Hose	Ball Stop	Control Valve or Meter
87532	1/4" x 30'	87500	75360	75024	85516	NA
87552	1/4" x 50'	87500	75600	75024	85516	NA

Complete Grease Assemblies with Universal Swivel & Control Valve

87532G	1/4" x 30'	87500	75360	75024	85516	81387 & 740
87552G	1/4" x 50'	87500	75600	75024	85516	81387 & 740

Medium Pressure Reels & Assemblies

Basic Fluid Lubricant Assemblies *Less Hose End Control*

87334	1/2" x 30'	87300	73360	73024	85517	NA
87354	1/2" x 50'	87300	73600	73024	85517	NA

Complete Fluid Lubricant, Antifreeze & WW Fluid Assemblies *with Control Valve or Meter*

30' OIL REEL MODELS

87334C	1/2" x 30' with Control Valve	87300	73360	73024	85517	769
87334D	1/2" x 30' with Electronic Meter	87300	73360	73024	85517	977
87334E	1/2" x 30' with Liter Meter	87300	73360	73024	85517	899
87334L	1/2" x 30' with Pints Gear Lube Meter	87300	73360	73024	85517	878
87334M	1/2" x 30' with Quarts Meter	87300	73360	73024	85517	877
87334N	1/2" x 30' with Gear Lube Control Valve	87300	73360	73024	85517	780
87334R	1/2" x 30' with Control Valve	87300	73360	73024	85517	779
87334T	1/2" x 30' with Quarts ATF Meter	87300	73360	73024	85517	883

50' OIL REEL MODELS

87354C	1/2" x 50' with Control Valve	87300	73600	73024	85517	769
87354D	1/2" x 50' with Electronic Meter	87300	73600	73024	85517	977
87354E	1/2" x 50' with Liter Meter	87300	73360	73024	85517	899
87354L	1/2" x 50' with Pints Gear Lube Meter	87300	73600	73024	85517	878
87354M	1/2" x 50' with Quarts Meter	87300	73600	73024	85517	877
87354N	1/2" x 50' with Gear Lube Control Valve	87300	73600	73024	85517	780
87354R	1/2" x 50' with Control Valve	87300	73600	73024	85517	779
87354T	1/2" x 50' with Quarts ATF Meter	87300	73600	73024	85517	883

Low Pressure Reels & Assemblies

Basic Air, Water *Less Hose End Control*

87732	1/4" x 30'	87700	72360	74024	85515	NA
87733	3/8" x 30'	87700	72360A	74024	85516	NA
87752	1/4" x 50'	87700	72600	74024	85515	NA
87753	3/8" x 50'	87700	72600A	74024	85516	NA
87754	1/2" x 50'	87700	74600	74024	85517	NA

Complete Air Assemblies with Air Coupler & Tire Chuck

87732A	1/4" x 30'	87700	72360	74024	85515	815/11659/66951
87733A	3/8" x 30'	87700	72360A	74024	85516	815/11659/66951
87752A	1/4" x 50'	87700	72600	74024	85515	815/11659/66951
87753A	3/8" x 50'	87700	72600A	74024	85516	815/11659/66951
87754A	1/2" x 50'	87700	74600	74024	85517	815/11659/66951

Complete Water Assemblies with Water Bibb Cock

87732W	1/4" x 30'	87700	72360	74024	85515	846 Bibb Cock
87733W	3/8" x 30'	87700	72360A	74024	85516	846 Bibb Cock
87752W	1/4" x 50'	87700	72600	74024	85515	846 Bibb Cock
87753W	3/8" x 50'	87700	72600A	74024	85516	846 Bibb Cock
87754W	1/2" x 50'	87700	74600	74024	85517	846 Bibb Cock



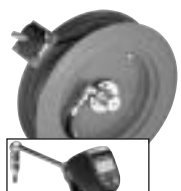
87552



87532G



87334



87334T



87354



87732



87732A



General Lubrication Products

Heavy Duty Series Hose Reels



The Heavy Duty Series reels are the finest Lincoln lube reels ever designed. Years of engineering, testing and experience preceded their introduction. The quality and reliability the professional expects from Lincoln is not only met but exceeded in form and function by the HD Series. Value, long-life and top performance were the criteria demanded before these incredible reels were released.

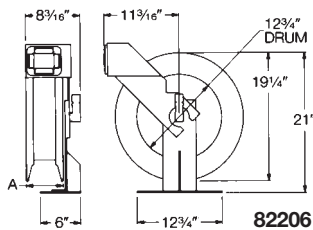
You should expect the best from Lincoln... the HD Series reel delivers it.



82206

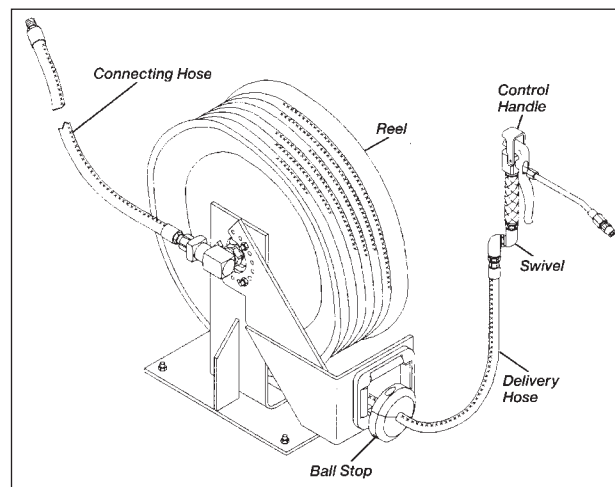
Features

- All bare reels rated for high, medium and low pressure
- Reel assemblies available in standard 30', 40' and 50' hose lengths
- Dual needle roller bearings
- Ball bearing inlet swivel design
- Quick disconnects on delivery and connecting hose
- Spring canister with seals
- Thirteen position roller outlet arm
- Delrin rollers
- Quarter-inch thick steel welded base and roller outlet arm
- Reel sheaves are rolled
- Components individually powder painted for long life and scratch resistance
- All reel assemblies factory assembled and pressure tested to insure a quality leak-free installation every time
- Basic reel assemblies can be ordered with one model number; include delivery hose, ball stop and connecting hose
- Complete reel assemblies with meter, control valve or air coupler are also available as one model number
- Backed by a five year limited warranty. See your Lincoln representative for details



Bare Reel Specifications

Model	Lincoln Reel Application	Hose Capacity			Working Pressure	Sheave Width	Inlet/Outlet
		Rating	Type	Length			
82206	Heavy duty long length	SAE100R2	75	50'	5000	5 1/2"	1/2" NPTF
		SAE100R2	76A	50'	5000	5 1/2"	1/2" NPTF
		SAE100R2	76B	50'	5000	5 1/2"	1/2" NPTF
		SAE100R3	73	50'	5000	5 1/2"	1/2" NPTF
		SAE100R1	78	50'	5000	5 1/2"	1/2" NPTF
		RMA	Class A	50'	5000	5 1/2"	1/2" NPTF



Typical Complete Hose Reel Assembly

Mounting Kits

Model 85641

Universal kit for mounting up to 12 reels, any series, open or decorative.

General Lubrication Products

Heavy Duty High Pressure Reels & Assemblies



85050

Basic Grease Assemblies *Less Hose End Control*

Basic Reel	Bare Reel	Delivery Hose	Hose Size	Connecting Hose	Ball Stop	Control Valve
85003	82206	75240	20' x 1/4"	75024	85516	NA
85003-30	82206	75360	30' x 1/4"	75024	85516	NA
85004	82206	75480	40' x 1/4"	75024	85516	NA
85004-50	82206	75600	50' x 1/4"	75024	85516	NA
85006-30B	82206	76360B	30' x 3/8"	76024B	85517	NA
85004-50B	82206	76600B	50' x 3/8"	76024B	85517	NA
85008-50A	82206	76600A	50' x 1/2"	76024A	85517	NA

Complete Grease Assemblies *with Universal Swivel & Control Valve*

Assembly Model	<i>Included with Reel Assemblies (Quantity)</i>							
	Bare Reel	Delivery Hose	Hose Size	Connecting Hose	Ball Stop	Control Valve	Swivel	Nipple
85050	82206	75360	30' x 1/4"	75024	85516	740	81387	12957(2)
85051	82206	75600	50' x 1/4"	75024	85516	740	81387	12957(2)

Medium Pressure Reels & Assemblies

Basic Fluid Lubricant, Antifreeze & WW Fluid Assemblies *Less Hose End Control*

Basic Reel	Bare Reel	Delivery Hose	Hose Size	Connecting Hose	Ball Stop	Control Valve
83463	82206	73240	20' x 1/2"	73024	85517	NA
83463-30	82206	73360	30' x 1/2"	73024	85517	NA
83464	82206	73480	40' x 1/2"	73024	85517	NA
83464-50	82206	73600	50' x 1/2"	73024	85517	NA
85009-50	82206	78600	50' x 5/8"	78024	84347	NA

Complete Medium Pressure Assemblies—Gear Lube

85052	82206	73360	30' x 1/2"	73024	85517	780
85053	82206	73600	50' x 1/2"	73024	85517	780
85054	82206	73360	30' x 1/2"	73024	85517	878 (meter)
85055	82206	73600	50' x 1/2"	73024	85517	878 (meter)

Complete Medium Pressure Assemblies—Oils

85056	82206	73360	30' x 1/2"	73024	85517	877 (meter)
85057	82206	73600	50' x 1/2"	73024	85517	877 (meter)
85058	82206	73360	30' x 1/2"	73024	85517	3866 (meter)
85059	82206	73600	50' x 1/2"	73024	85517	3866 (meter)

Complete Medium Pressure Assemblies—Oils *Elec/Digital*

85060	82206	73360	30' x 1/2"	73024	85517	967 (meter)
85061	82206	73600	50' x 1/2"	73024	85517	967 (meter)

Low Pressure Reels & Assemblies

Basic Air, Water *Less Hose End Control*

85232	82206	72360	30' x 1/4"	72024	85515	NA
85002	82206	72480	40' x 1/4"	72024	85515	NA
85011	82206	72600	50' x 1/4"	72024	85515	NA
85002A	82206	72480A	40' x 3/8"	72024A	85516	NA
85001	82206	72600A	50' x 3/8"	72024A	85516	NA
85005	82206	74480	40' x 1/2"	74024	85517	NA
85010-50	82206	74600	50' x 1/2"	74024	85517	NA

Complete Low Pressure Assemblies—Air Service

Assembly Model	<i>Included with Reel Assemblies</i>								
	Bare Reel	Delivery Hose	Hose Size	Connecting Hose	Ball Stop	Air Coupler	Nipple	Air Chuck	Bushing
85062	82206	72600	50' x 1/4"	74024	85515	815	11659	66951	12080
85063	82206	72600A	50' x 3/8"	74024	85516	815	11659	66951	67069/10049

Complete Low Pressure Assemblies—Water Service

Assembly Model	<i>Included with Reel Assemblies</i>							
	Bare Reel	Delivery Hose	Hose Size	Connecting Hose	Ball Stop	Bushings	Bibb Cock	
85064	82206	72600	50' x 1/4"	74024	85515	12080	846	
85065	82206	72600A	50' x 3/8"	74024	85516	67069/10049	846	



85060



85065

General Lubrication Products

Decorative Hose Reels—D87000, 3100, 3200 Series



Lincoln's decorative overhead hose reel cabinets are constructed of a lightweight, durable resin. This design offers dramatically reduced installation time and ease of maintenance. The modular design eliminates reel enclosure end panels. Decorative cabinet models are dent and scratch resistant, non-conductive and non-corrosive.



Features

Complete model assemblies include

- Reel
- Inlet and delivery hoses
- Ball stop
- Delivery kit (meter, etc.)
- Individual cabinet and base assembly
- Universal mounting bracket 85641 available. Allows installation of up to 12 different reel assemblies—open or decorative. Order separately.

Decorative Reel Assemblies

Reel Type	Hose Length	Cabinet	Mounting Kit (1 Reel)	Universal Mounting Kit (1-12 Reels)
Series 87000 Standard	30'	85640	85642	85641
Series 87000 Standard	50'	85640	85642	85641
Heavy Duty	30'	85240	85242	85641
Heavy Duty	50'	85240	85242	85641

Mounting Kit

Model 85242 Heavy Duty Reel Mounting Kit

Mounts any HD Reel in an overhead reel bank.

Model 85642 Series 87000 Reel Mounting Kit

Mounts any Series 87000 Standard Reel in an overhead reel bank. Includes adapter plate assembly 85345.

Model 85641 Universal Mounting Kit

Universal mounting kit allows installation of up to twelve reels, any series, open or decorative. Twelve reels can be installed side by side with this kit or cut to fit your reel installation needs. Includes 2 mounting struts and hardware to mount 12 reels.

Series D87000, Decorative 30 Feet

Model	Description	Bare Reel	Delivery Hose (30')	Connecting Hose	Ball Stop	Hose End Controls	Swivel	Coupler	Nipple
D87532G	Grease w/Control Valve & Swivel	87500	75360 1/4"	75024	85515	740	81387	NA	NA
D87334C	Motor Oil/Antifreeze w/Electronic Meter	87300	73360 1/2"	73024	85517	769	NA	NA	NA
D87334D	Motor Oil/Antifreeze w/Electronic Meter	87300	73360 1/2"	73024	85517	977	NA	NA	NA
D87334M	Motor Oil/Antifreeze w/Quarts Meter	87300	73360 1/2"	73024	85517	877	NA	NA	NA
D87334E	Motor Oil/Antifreeze w/Liter Meter	87300	73360 1/2"	73024	85517	899	NA	NA	NA
D87334L	Gear Oil w/Pints Meter	87300	73360 1/2"	73024	85517	878	NA	NA	NA
D87334N	Gear Oil w/Control Valve	87300	73360 1/2"	73024	85517	780	NA	NA	NA
D87334R	Gear Oil w/Control Valve	87300	73360 1/2"	73024	85517	779	NA	NA	NA
D87334T	ATF w/Quarts ATF Meter	87300	73360 1/2"	73024	85517	883	NA	NA	NA
D87732A	Air w/Air Chuck	87700	72360 1/4"	74024	85515	66951	NA	815	11659
D87733A	Air w/Air Chuck	87700	72600A 3/8"	74024	85516	66951	NA	815	11659
D87732W	Water w/Bibb Cock	87700	72360 1/4"	74024	85515	846	NA	NA	NA
D87733W	Water w/Bibb Cock	87700	72360A 3/8"	74024	85516	846	NA	NA	NA

Series D87000, Decorative, 50 Feet

Model	Description	Bare Reel	Delivery Hose (50')	Connecting Hose	Ball Stop	Hose End Controls	Swivel	Coupler	Nipple
D87552G	Grease w/Control Valve & Swivel	87500	75600 1/4"	75024	85515	740	81387	NA	NA
D87354C	Motor Oil/Antifreeze w/Control Valve	87300	73600 1/2"	73024	85517	769	NA	NA	NA
D87354D	Motor Oil/Antifreeze w/Electronic Meter	87300	73600 1/2"	73024	85517	977	NA	NA	NA
D87354M	Motor Oil/Antifreeze w/Quarts Meter	87300	73600 1/2"	73024	85517	877	NA	NA	NA
D87354E	Motor Oil/Antifreeze w/Liter Meter	87300	73600 1/2"	73024	85517	899	NA	NA	NA
D87354L	Gear Oil w/Pints Meter	87300	73600 1/2"	73024	85517	878	NA	NA	NA
D87354N	Gear Oil w/Control Valve	87300	73600 1/2"	73024	85517	780	NA	NA	NA
D87354R	Gear Oil w/Control Valve	87300	73600 1/2"	73024	85517	779	NA	NA	NA
D87354T	ATF w/Quarts ATF Meter	87300	73600 1/2"	73024	85517	883	NA	NA	NA
D87752A	Air w/Air Chuck	87700	72600 1/4"	74024	85515	66951	NA	815	11659
D87753A	Air w/Air Chuck	87700	72600A 3/8"	74024	85516	66951	NA	815	11659
D87752W	Water w/Bibb Cock	87700	72600 1/4"	74024	85515	846	NA	NA	NA
D87753W	Water w/Bibb Cock	87700	72600A 3/8"	74024	85516	846	NA	NA	NA

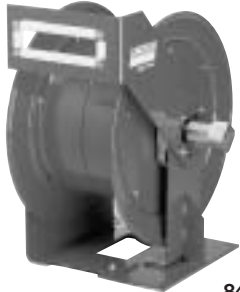
Series 3100 Heavy Duty, Decorative 30 Feet

Model	Description	Bare Reel	Delivery Hose (30')	Connecting Hose	Ball Stop	Hose End Controls	Swivel	Coupler	Nipple
3191	Grease w/Control Valve & Swivel	82206	75360 1/4"	75024	85515	740	81387		
3189	Motor Oil/Antifreeze w/Electronic Meter	82206	73360 1/2"	73024	85517	977	NA	NA	NA
3194	Motor Oil/Antifreeze w/Quarts Meter	82206	73360 1/2"	73024	85517	877	NA	NA	NA
3195	Gear Oil w/Pints Meter	82206	73360 1/2"	73024	85517	878	NA	NA	NA
3196	Gear Oil w/Control Valve	82206	73360 1/2"	73024	85517	780	NA	NA	NA
3197	ATF w/Quarts ATF Meter	82206	73360 1/2"	73024	85517	883	NA	NA	NA
3193	Air w/Air Chuck	82206	72360 1/4"	72024	85515	66951	NA	815	11659
3192	Water w/Bibb Cock, 30' Hose	82206	72360 1/4"	72024	85515	846	NA	NA	NA

Series 3200 Heavy Duty, Decorative, 50 Feet

Model	Description	Bare Reel	Delivery Hose (50')	Connecting Hose	Ball Stop	Hose End Controls	Swivel	Coupler	Nipple
3291	Grease w/Control Valve & Swivel	82206	75600 1/4"	75024	85515	740	81387	NA	NA
3289	Motor Oil/Antifreeze w/Electronic Meter	82206	73600 1/2"	73024	85517	977	NA	NA	NA
3294	Motor Oil/Antifreeze Quarts Meter	82206	73600 1/2"	73024	85517	877	NA	NA	NA
3295	Gear Oil w/Pints Meter	82206	73600 1/2"	73024	85517	878	NA	NA	NA
3296	Gear Oil w/Control Valve	82206	73600 1/2"	73024	85517	780	NA	NA	NA
3297	ATF w/Quarts ATF Meter	82206	73600 1/2"	73024	85517	883	NA	NA	NA
3198	Air w/Air Chuck	82206	72600 1/4"	72024	85515	66951	NA	815	11659
3199	Air w/Air Chuck	82206	72600A 3/8"	72024A	85516	66951	NA	815	11659
3190	Water w/Bibb Cock	82206	72600A 3/8"	72024A	85516	846	NA	NA	NA

Extra Heavy Duty Reels for Applications that Require High Product Flow and/or Longer Hose such as Service Trucks, Lube Trucks, Transit Facilities and Large Fleet Shops.



84275

Model 84275

Extra heavy duty dual reel sheave support base design and large hose capacity make this 1/2" (inlet/outlet) reel the ideal high pressure reel for grease, petroleum oils, air and water.



84672

Model 84672

Extra heavy duty high flow design makes this 3/4" inlet/outlet reel the perfect medium pressure reel for petroleum oils, used fluid evacuation, air and water service.



84673

Model 84673

Extra heavy duty dual reel sheave support base, high flow design and large hose capacity make this 3/4" inlet/outlet reel the ideal medium pressure reel for petroleum oils, used fluid evacuation, air and water service.

Model 84432

Heavy duty dual reel sheave support base design and high flow swivel make this 1" inlet/outlet reel the ideal low pressure/volume reel. This reel is suitable for gasoline, diesel fuel, fuel oil, petroleum oil, used fluid evacuation, air and water.



84432

High Flow Reel Specifications

Model	Designation	SAE	HOSE CAPACITY		Inlet/Outlet NPTF	Working Pressure psi	Sheave Width	INSTALLATION	
			Type	Length				Width	Depth
84275	Extra heavy duty large capacity	100R1	78	75'	1/2"	5000	10"	13 1/8"	12 3/4"
		100R2	75/76A/76B	75'					
		100R3	73	75"					
84672	Extra heavy duty high flow	100R1	3/4"ID x 1 1/4"OD 78	30'	3/4"	2000	5 1/2"	9 15/16"	12 3/4"
84673	Large capacity	100R1	3/4"ID x 1 1/4"OD 78	75'	3/4"	2000	10"	14 1/2"	12 3/4"
		100R1	78	75'					
84432	Heavy duty volume	100R3	1"OD low pressure	50'	1"	300	8"	15 3/4"	24 1/4"

Contact Lincoln for more information regarding super duty reels with extra large hose capacity suitable for aircraft fuels.



Model 84433

1" x 50' volume fuel reel assembly comes complete with spring powered reel 84432, 1" x 50' delivery hose 247926, ball stop 84257 and 1" x 2' connecting hose. Order control valve/nozzle separately.

Fuel Nozzles

Model 69690

1 1/4" NPT(f) inlet, 50 psi. Aluminum body and outlet tube.

Model 69825

Auto shut-off, 1" NPT(f) inlet, 50 psi. Aluminum body and outlet tube.

Model 69824

Same as 69825 except 3/4" NPT(f) inlet.



High Flow Reel Assemblies

Basic Reel	Bare Reel	Delivery Hose	Hose Size	Connecting Hose	Ball Stop	Control Valve
84433	84432	247926	1" x 50'	247925	84257	order separately

Recommended Mounting/Application

Bare Reel	Mounting	Applications
84275	Floor, wall, ceiling, lube truck	Grease, oils, air
84672	Floor, wall, ceiling, lube truck	Oils, used fluid evacuation, air, water
84673	Floor, wall ceiling, lube truck	Oils, used fluid evacuation, air, water
84432	Floor, platform, lube truck	Fuel, volume oils, used fluid evac., air, water

WARNING

Reels used with hazardous fluids or fuels, hose with static grounding wire must be used. For aircraft fuels, a separate static grounding cable must be furnished by the user. Consult federal and local codes for details.

Lincoln high, medium & low pressure hoses—every size for every application

High Pressure Hose—Grease

Model	Size	Hose Type/SAE	Inches		Thread	Max Pressure psi (bar) Working
			ID	OD		
75024	2'	75/100R2A	1/4	11/16	1/2"-27(f)	5000 (340)
75060	5'	75/100R2A	1/4	11/16	1/2"-27(f)	5000 (340)
75084	7'	75/100R2A	1/4	11/16	1/2"-27(f)	5000 (340)
75120	10'	75/100R2A	1/4	11/16	1/2"-27(f)	5000 (340)
75168	14'	75/100R2A	1/4	11/16	1/2"-27(f)	5000 (340)
75240	20'	75/100R2A	1/4	11/16	1/2"-27(f)	5000 (340)
75360	30'	75/100R2A	1/4	11/16	1/2"-27(f)	5000 (340)
75480	40'	75/100R2A	1/4	11/16	1/2"-27(f)	5000 (340)
75600	50'	75/100R2A	1/4	11/16	1/2"-27(f)	5000 (340)
76024B	2'	76B/100R2	3/8	27/32	1/2"NPT(f)	4000 (272)
76120B	10'	76B/100R2	3/8	27/32	1/2"NPT(f)	4000 (272)
76360B	30'	76B/100R2	3/8	27/32	1/2"NPT(f)	4000 (272)
76600B	50'	76B/100R2	3/8	27/32	1/2"NPT(f)	4000 (272)
76900B	75'	76B/100R2	3/8	27/32	1/2"NPT(f)	4000 (272)
76024A	2'	76B/100R2	1/2	27/32	1/2"NPT(f)	4000 (272)
76600A	50'	76B/100R2	1/2	27/32	1/2"NPT(f)	4000 (272)

Medium Pressure Hose—Oil, Gear Lube & Antifreeze

73024	2'	73/100R3	1/2	13/16	1/2"NPT(m)	1500 (102)
73036	3'	73/100R3	1/2	13/16	1/2"NPT(m)	1500 (102)
73060	5'	73/100R3	1/2	13/16	1/2"NPT(m)	1500 (102)
73120	10'	73/100R3	1/2	13/16	1/2"NPT(m)	1500 (102)
73240	20'	73/100R3	1/2	13/16	1/2"NPT(m)	1500 (102)
73360	30'	73/100R3	1/2	13/16	1/2"NPT(m)	1500 (102)
73480	40'	73/100R3	1/2	13/16	1/2"NPT(m)	1500 (102)
73600	50'	73/100R3	1/2	13/16	1/2"NPT(m)	1500 (102)
73900	75'	73/100R3	1/2	13/16	1/2"NPT(m)	1500 (102)
1230120	10'	1230/100R2	3/4	1 1/4	3/4"NPT(m)	2250 (153)

Hose Accessories

Ball Stops

Lincoln Ball Stops are used to cushion and stop hose retraction.



Model	Description	Hose Type	OD
85515	Adjustable	RMA Class A	5/8"
85516	Adjustable	RMA Class A & 74	1 1/16" – 23/32"
85517	Adjustable	73, 74, 76A & 76B	27/32" – 31/32"
84347	Adjustable	78	1 1/32"
84122	Adjustable	NA	1 3/4" – 1 7/8"
84257	Adjustable	NA	1 1/2" – 1 5/8"

Low Pressure Hose—Air & Water

Model	Size	Hose Industrial	Inches		Thread	Max Pressure psi (bar) Working
			ID	OD		
72024	2'	RMA Class A	1/4	5/8	1/4"NPT(m)	250 (17.01)
72036	3'	RMA Class A	1/4	5/8	1/4"NPT(m)	250 (17.01)
72060	5'	RMA Class A	1/4	5/8	1/4"NPT(m)	250 (17.01)
72120	10'	RMA Class A	1/4	5/8	1/4"NPT(m)	250 (17.01)
72240	20'	RMA Class A	1/4	5/8	1/4"NPT(m)	250 (17.01)
72480	40'	RMA Class A	1/4	5/8	1/4"NPT(m)	250 (17.01)
72600	50'	RMA Class A	1/4	5/8	1/4"NPT(m)	250 (17.01)
72024A	2'	RMA Class A	3/8	23/32	3/8"NPT(m)	250 (17.01)
72360A	30'	RMA Class A	3/8	23/32	3/8"NPT(m)	250 (17.01)
72480A	40'	RMA Class A	3/8	23/32	3/8"NPT(m)	250 (17.01)
72600A	50'	RMA Class A	3/8	23/32	3/8"NPT(m)	250 (17.01)
74024	2'	RMA Class A	1/2	27/32	1/2"NPT(m)	200 (13.61)
74060	5'	RMA Class A	1/2	27/32	1/2"NPT(m)	200 (13.61)
74480	40'	RMA Class A	1/2	27/32	1/2"NPT(m)	200 (13.61)
74600	50'	RMA Class A	1/2	27/32	1/2"NPT(m)	200 (13.61)

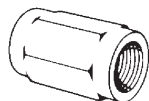
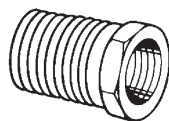
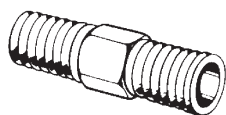
Lincoln High Pressure Replacement Hose

Cross Reference

Model	Original Threads	Replacement
Alemite	1/2"-27(f) x 1/2"-27(f)	Any Type 75 Hose
Aro	1/8" NPT(m) x 1/8" NPT(f)	Any Type 75 Hose, 10199 Nipple, 10200 Bushing
Balcrank	1/2"-27(f) x 1/2"-27(f)	Any Type 75 Hose
Graco	1/4" NPT(m) x 1/4" NPT(m)	Any Type 75 Hose, Two (2) 10198 Bushing

Hose Accessories

Nipples, Couplers & Bushings for Lincoln 75 Grease Hose



Nipples

Model	Thread
10198	1/4" NPT(m) x 1/2"-27(m)
10199	1/8" NPT(m) x 1/2"-27(m)
10202	1/2"-27 NPT(m) x 1/2"-27(m)
12957	1/2" NPT(m) x 1/2"-27(m)

Reducing Couplings

11852	1/8" NPT(f) x 1/2"-27(f)
10522	1/4" NPT(f) x 1/2"-27(f)

Bushings

10200	1/8" NPT (f) x 1/2"-27(m)
10204	1/4" NPT(f) x 1/2"-27(m)
12287	1/2"-27(f) x 1/2" NPT(m)